



上海新桦邦光电科技有限公司 Shanghai A-LASER Tech. Corp.



上海市嘉定区宝安公路 2999 弄 (东方慧谷) 22 号 1906 室 邮编: 201801
Rm 1906, No. 22, 2999 Baoan Road, Malu Town, Jiading Dist., Shanghai, China
Tel: +86-21-59103536 Fax: +86-21-59103526 Email: info@a-laser.cn website: http://www.a-laser.cn

Approval Sheet

Part No. : AD-980-10WD-14HHL-PTFS

Version : 0

Date : Feb. 18, 2013

Draw By	Confirmed By	Approval By
		
Date	Date	Date

976nm 10W Detachable Laser Diode Module

AD-980-10WD-14HHL-PTFS V.0

G980-10WD-14HHL-PTFS V.0

Output : 976nm/10W

Features

- Output Power at 10W
- Wavelength : 976nm
with 650nm Aiming laser beam
- Fiber coupling for 200 μ m, 0.22NA
- Fiber detector

Applications

- Medical applications
- Material process

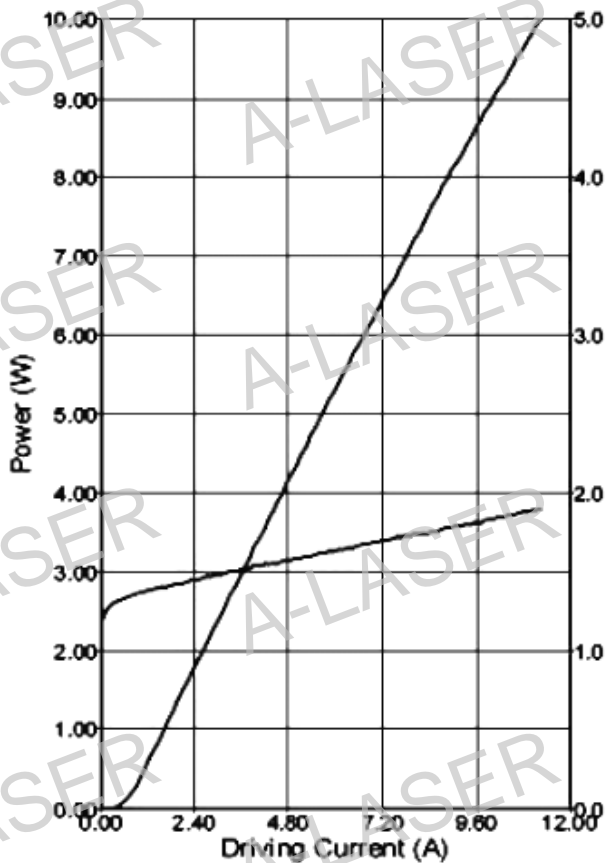
Electric and optical characteristics

(TC=25)

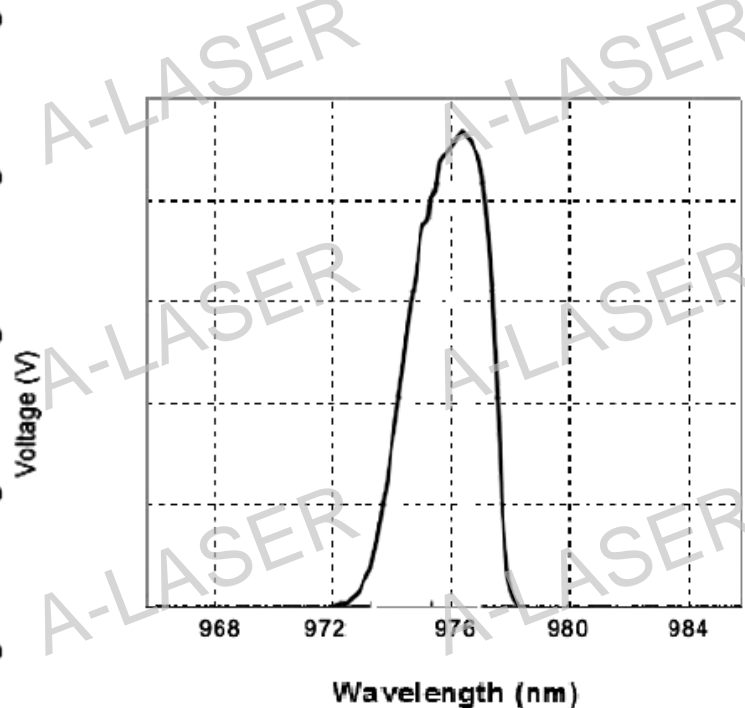
	Parameter	Symble	Value			Unit
			min.	typ.	max.	
Optical Spec.	Operating Output Power	P_{op}	-	-	10	W
	Centra Frequency	λ_c	966	976	986	nm
	Spectral Width (90% power)	λ	-	-	3	nm
	Wavelength / Temp. Coefficient	λ / T	-	0.3	-	nm/
Electronical Spec.	Threshold Current	V_{op}	-	0.6	-	A
	Operating Current	η_{es}	-	12	-	A
	Operating Voltage	I_{mo}	-	1.9	-	V
	Slope Efficiency	I_t	-	0.8	0.9	W / A
	PD	V_t	-	0.2	2.2	mA
	TEC Max Current	R_t	-	6	-	A
	TEC Max Voltage	V_t	-	9.8	-	V
	Thermistor	R_t	-	10 \pm 5%/3477	-	(K Ω)/ β (25)
Indication Laser	Output Power	P_{pb}	2	-	-	mW
	Center Frequency	λ_{pb}	640	650	660	nm
	Operating Current	I_{pb}	-	-	30	mA
	Operating Voltage	V_{pb}	-	-	5.0	V

Parameter	Symble	Value			Unit	
		min.	typ.	max.		
Connector Data	Design For Fiber Core Diameter	dcore	-	200, 400	-	μm
	Numeric Aperture	NA	-	0.22	-	-
	Connector	-	ST, FC, SMA905			-
Other Spec.	Operating Temp. Range	-	10	-	30	
	Storage Temp. Range	-	-20	-	80	
	Storage/Working Humidity	-	-	-	90	%
	Pin Soldering Temp. (10 sec. max)	-	-	-	250	
	MTBF	-	10,000	-	-	Hrs

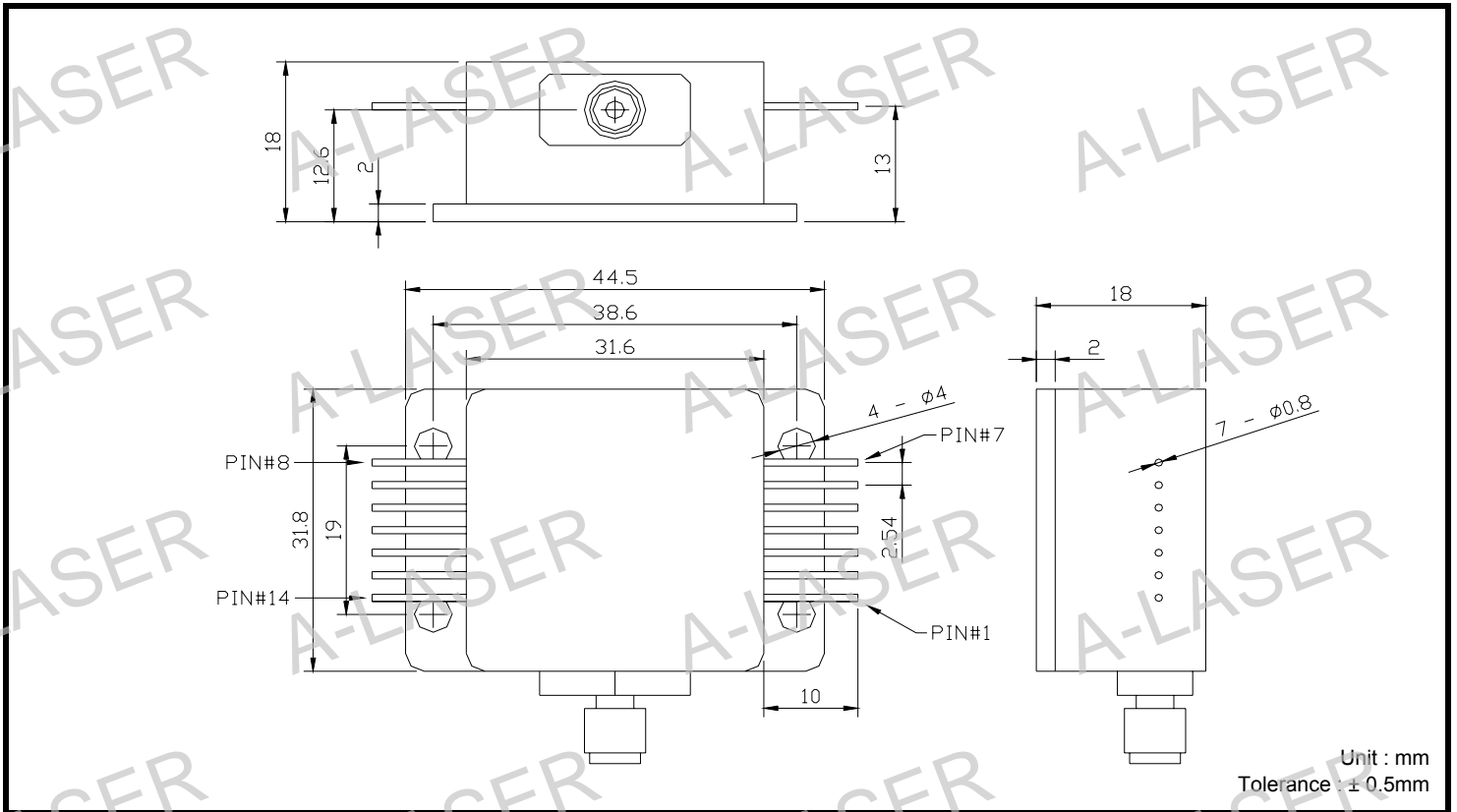
Diode Module Electric Characteristic



Diode Module spectrum Characteristic



Dimension



Pin Connection

Pin No	Function
1	Case
2	Laser (+)
3	Thermistor
4	Thermistor
5	Laser (-)
6	PD (N)
7	PD (P)
8	TEC (-)
9	Fiber Detection PDP
10	Fiber Detection LED (-)
11	Fiber Detection LED (-) / Fiber Detection PDN
12	Indication Laser (+)
13	Indication Laser (-)
14	TEC (+)

**For reference only. Contents above are subject to change without notice.*