



上海新桦邦光电科技有限公司 Shanghai A-LASER Tech. Corp.



上海市嘉定区宝安公路 2999 弄 (东方慧谷) 22 号 1906 室 邮编: 201801  
Rm 1906, No. 22, 2999 Baoan Road, Malu Town, Jiading Dist., Shanghai, China  
Tel: +86-21-59103536 Fax: +86-21-59103526 Email: info@a-laser.cn website: http://www.a-laser.cn

## Approval Sheet

**Part No. : AD-940-20-D200/22-G4T-TAP**

Version : 0

Date : Jul. 03, 2013

Draw By	Confirmed By	Approval By
		
Date	Date	Date

**940nm T SERIES HIGH POWER DIODE LASER MODULE**

**AD-940-20-D200/22-G4T-TAP V.0**

M915±10-20-D200/22-G4T-TAP V.0

**Output : 940nm/20W for Fiber**

**Features**

- High Output Power up to 20W
- Multimode optical fiber Core Diameter = 200µm
- Numeric Aperture = 0.22
- TE cooler inside

**Applications**

- Pumping source for laser system
- Medical applications
- Material process

**Electric and optical characteristics**

(TC=25 °C)

ITEM	Symble	Value			Unit	
		min.	typ.	max.		
<b>Optical Spec.</b>	Operating Output Power	Pop	-	-	20	W
	Centra Frequency	lc	930	940	950	nm
	Spectral Width (90% power)	l	-	-	6	nm
	Wavelength / Temp. Coefficient	l / T	-	0.35	-	nm/
<b>Electronical Spec.</b>	Threshold Current	lth	-	0.65	-	A
	Operating Current	lop	-	12	-	A
	Operating Voltage	Vop	-	3.5	-	V
	Slope Efficiency	ηes	-	1.8	-	W / A
	Percentage Efficiency	ηep	-	48	-	%
<b>Indication Laser</b>	Output Power	Ppb	2	-	-	mW
	Center Frequency	lpb	640	650	660	nm
	Operating Current	lpb	-	-	30	mA
	Operating Voltage	Vpb	-	-	2.2	V

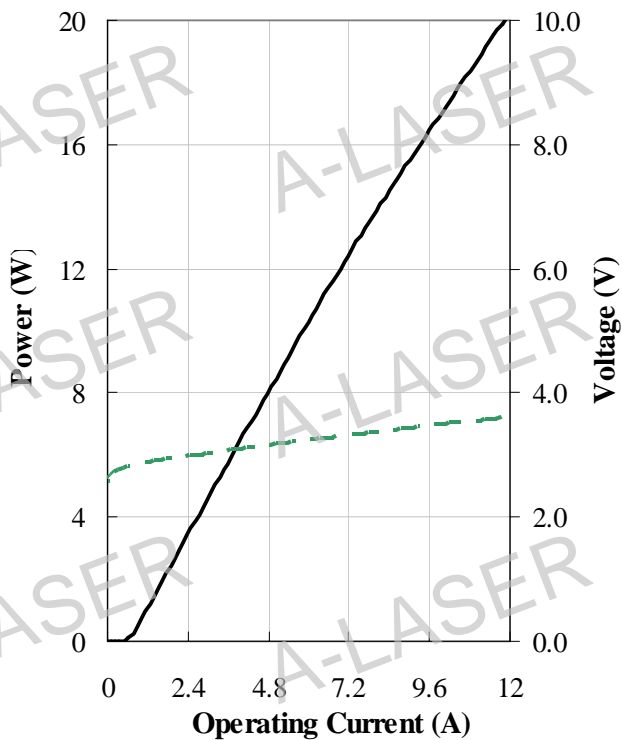
ITEM	Symble	Value			Unit	
		min.	typ.	max.		
<b>Fiber spec*</b>	Core Diameter	dcore	-	200	-	μm
	Cladding Diameter	dclad	-	220	-	μm
	Buffer Diameter	dbuffer	-	400	-	μm
	Numeric Aperture	NA	-	0.22	-	-
	Connector	-	-	SMA905	-	-
<b>Other Spec.</b>	Operating Temp. Range	-	10	-	40	
	Working Humidity	-	-	-	75	%
	Storage Temp. Range	-	-20	-	80	
	StorageWorking Humidity	-	-	-	90	%
	Pin Soldering Temp. (10 sec. max)	-	-	-	250	

Remark :

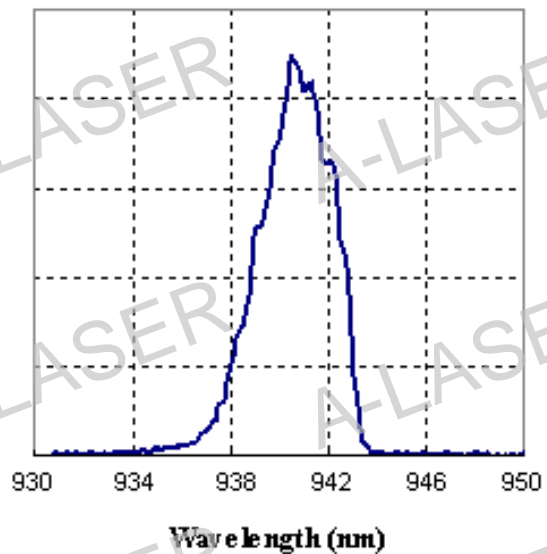
\*Customized fiber and connector available.

### Diode Module Electric Characteristic

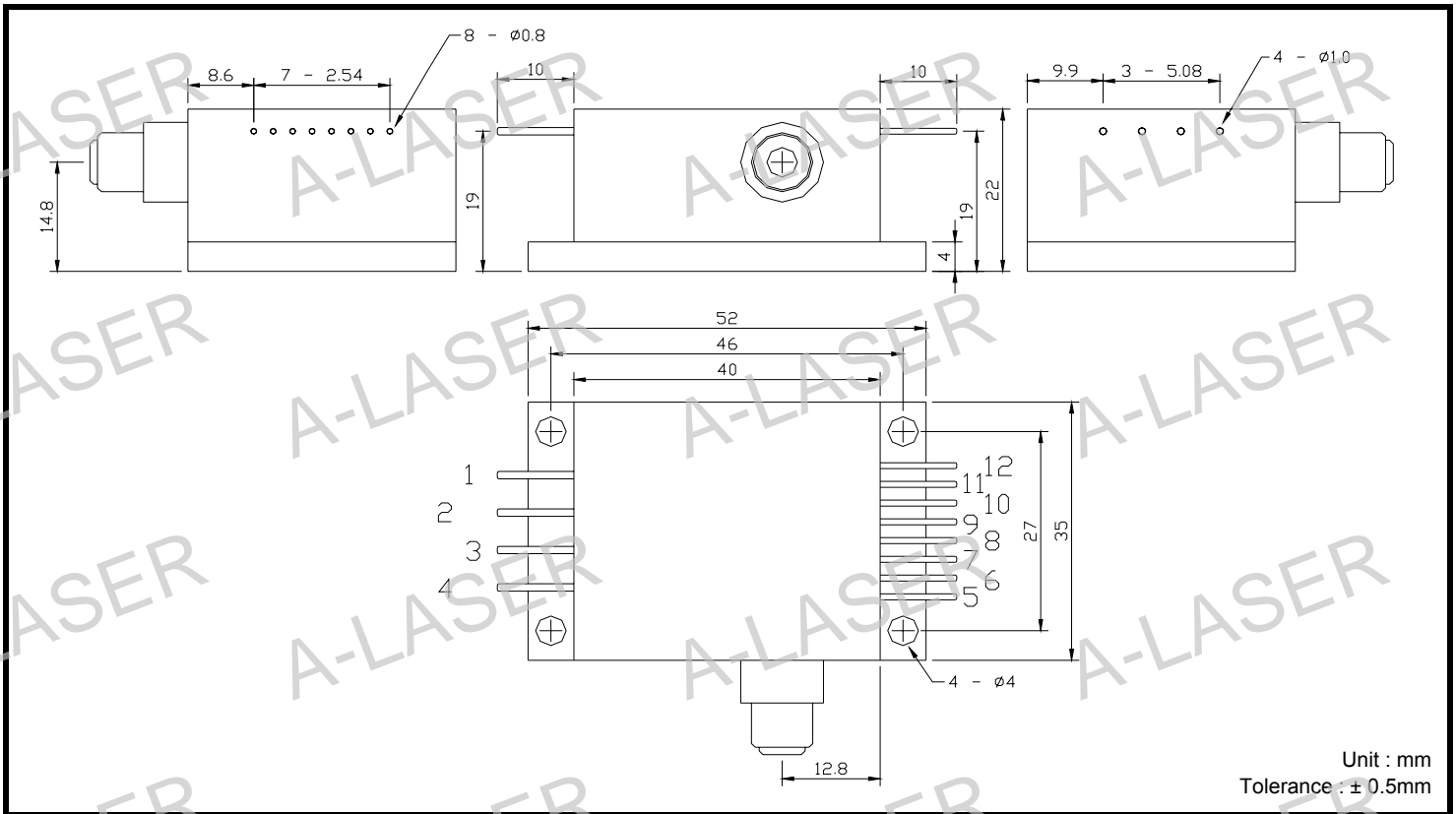
— P-I Curve  
 - - - V-I Curve



### Diode Module spectrum Characteristic



## Dimension



Unit : mm  
 Tolerance : ± 0.5mm

## Pin Connection

Pin No	Function
1	TEC (-)
2	Ground
3	VCC
4	TEC (+)
5	Fiber connector Detector (+)
6	Fiber Connector Detector (-)
7	Indication Laser Vcc (+5VDC)
8	Indication Laser Ground
9	PD (N)
10	PD (P)
11	Thermistor
12	Thermistor

Note : \*Pin#6 is connect with the metal case. Pin#5 is connected with Pin#6 when the fiber connector is fully inserted into the fiber adapter of the module.

*\*For reference only. Contents above are subject to change without notice.*